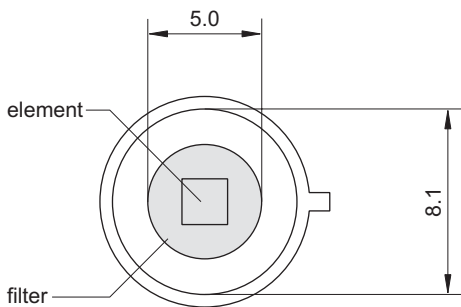
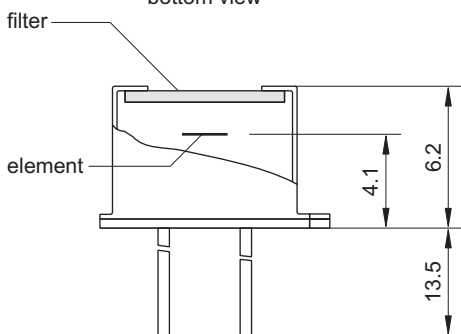
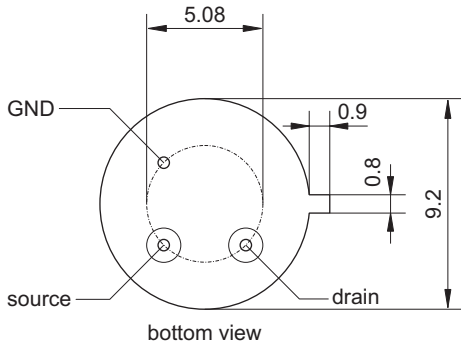


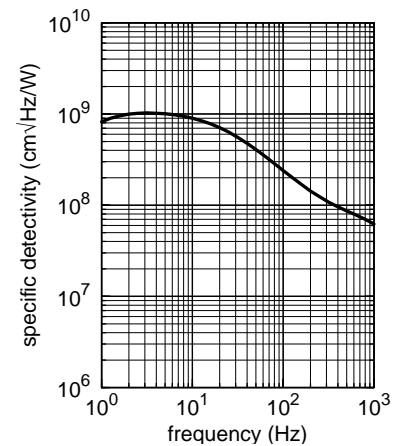
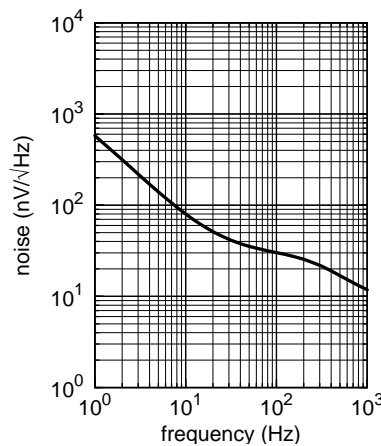
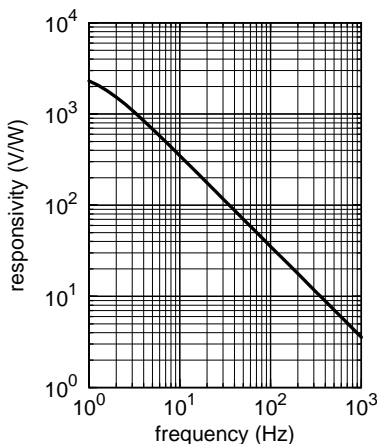
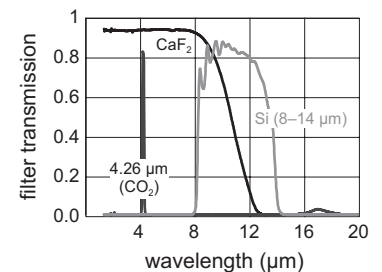
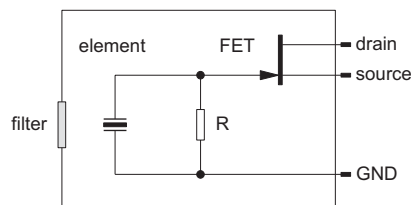
LTSI Q2

Pyroelectric Single Element Detector for Measurement Applications



element size	2 mm × 2 mm
aperture	5.0 mm
filter ³	custom-designed
responsivity ^{1,2}	>350 V/W
noise ¹	<80 nV/√Hz
specific detectivity ^{1,2}	>9·10 ⁸ cm √Hz/W
offset voltage	0.4 to 1.5 V
operating voltage	2 to 18 V
housing	TO 39
operating temperature	-20 to 60 °C
storage temperature	-20 to 60 °C

1) frequency: 10 Hz, detector temperature: 25 °C
 2) black body source temperature: 500 K, filter transmission: 100 %
 3) other filters on request



Further developments may entail modifications of indicated data without notification. Revision 08/2008. 05082008 ltsiq2_eng