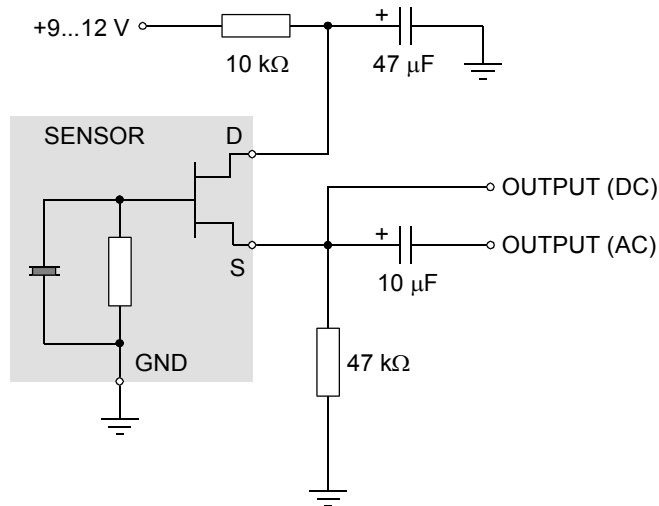


## Circuit Diagrams

### Detector in voltage mode



### Detector in voltage mode with amplifier

