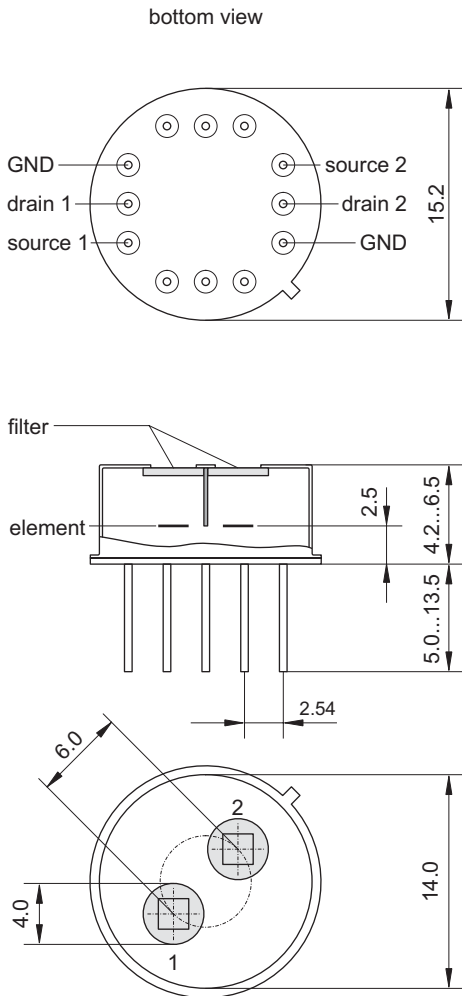


2LTA G2PC

Pyroelectric Dual Channel Detector for Measurement Applications



element size	2 mm × 2 mm
aperture	4.0 mm
filter ³	custom-designed
responsivity ^{1,2}	>150 V/W
noise ¹	<100 nV/√Hz
specific detectivity ^{1,2}	>3·10 ⁸ cm √Hz/W
thermal compensation	parallel
offset voltage	0.4 to 1.5 V
operating voltage	2 to 18 V
housing	TO 8
operating temperature	-20 to 70 °C
storage temperature	-20 to 70 °C

- 1) frequency: 10 Hz, detector temperature: 25 °C
- 2) black body source temperature: 500 K, filter transmission: 100 %
- 3) other filters on request

